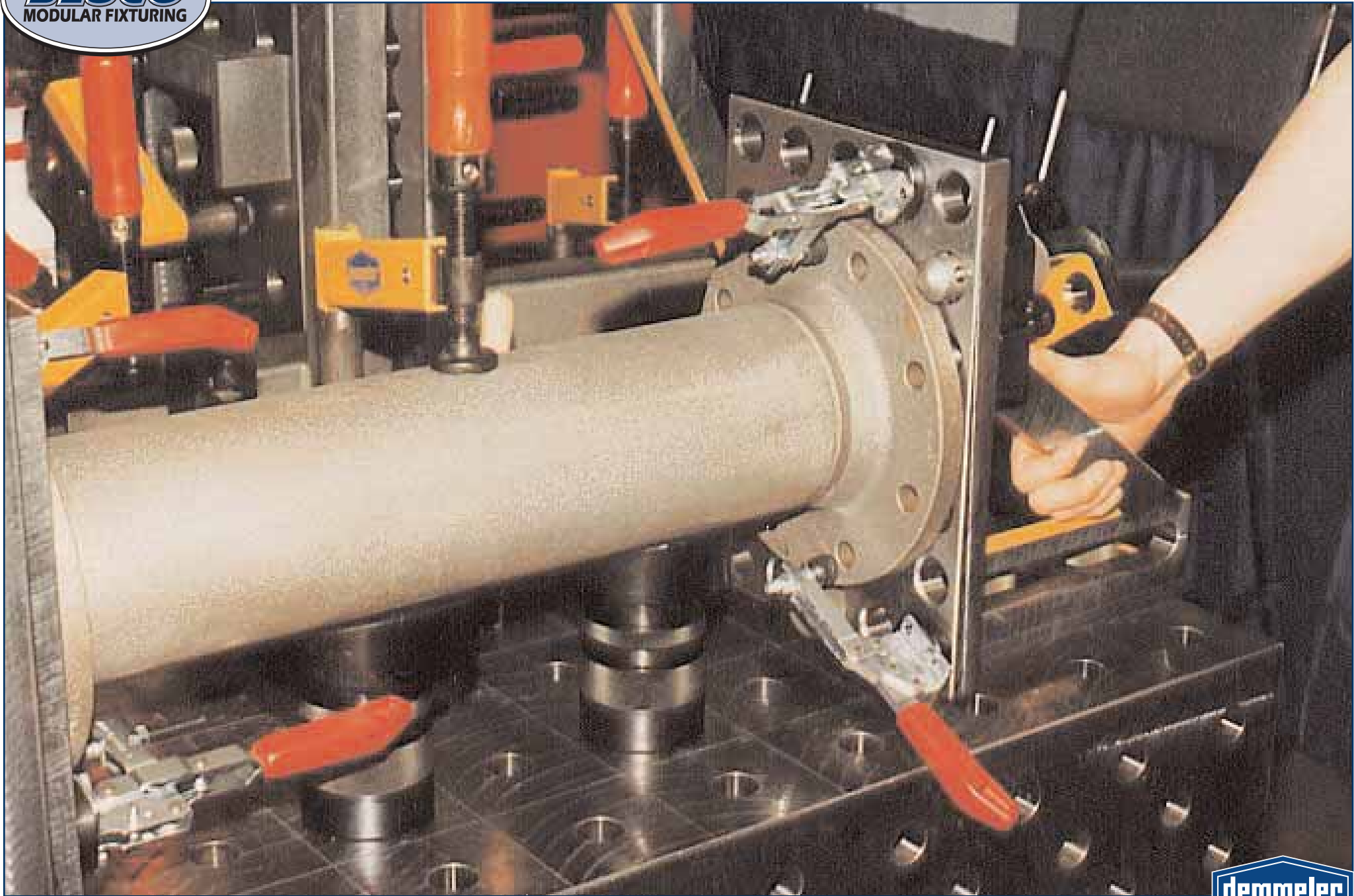


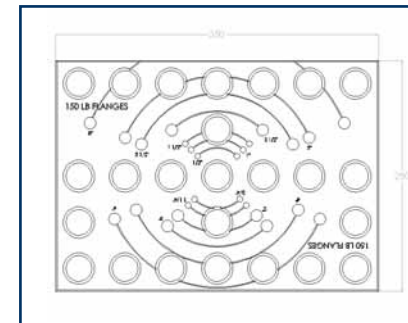
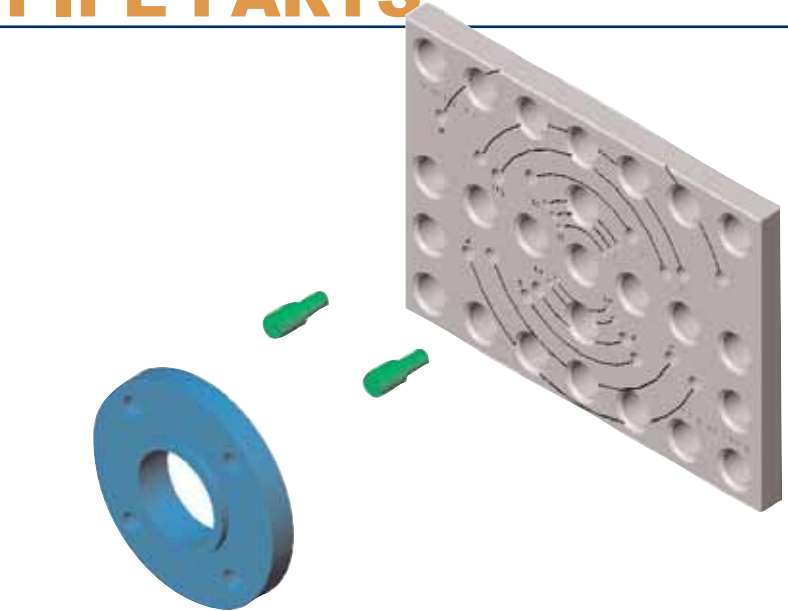
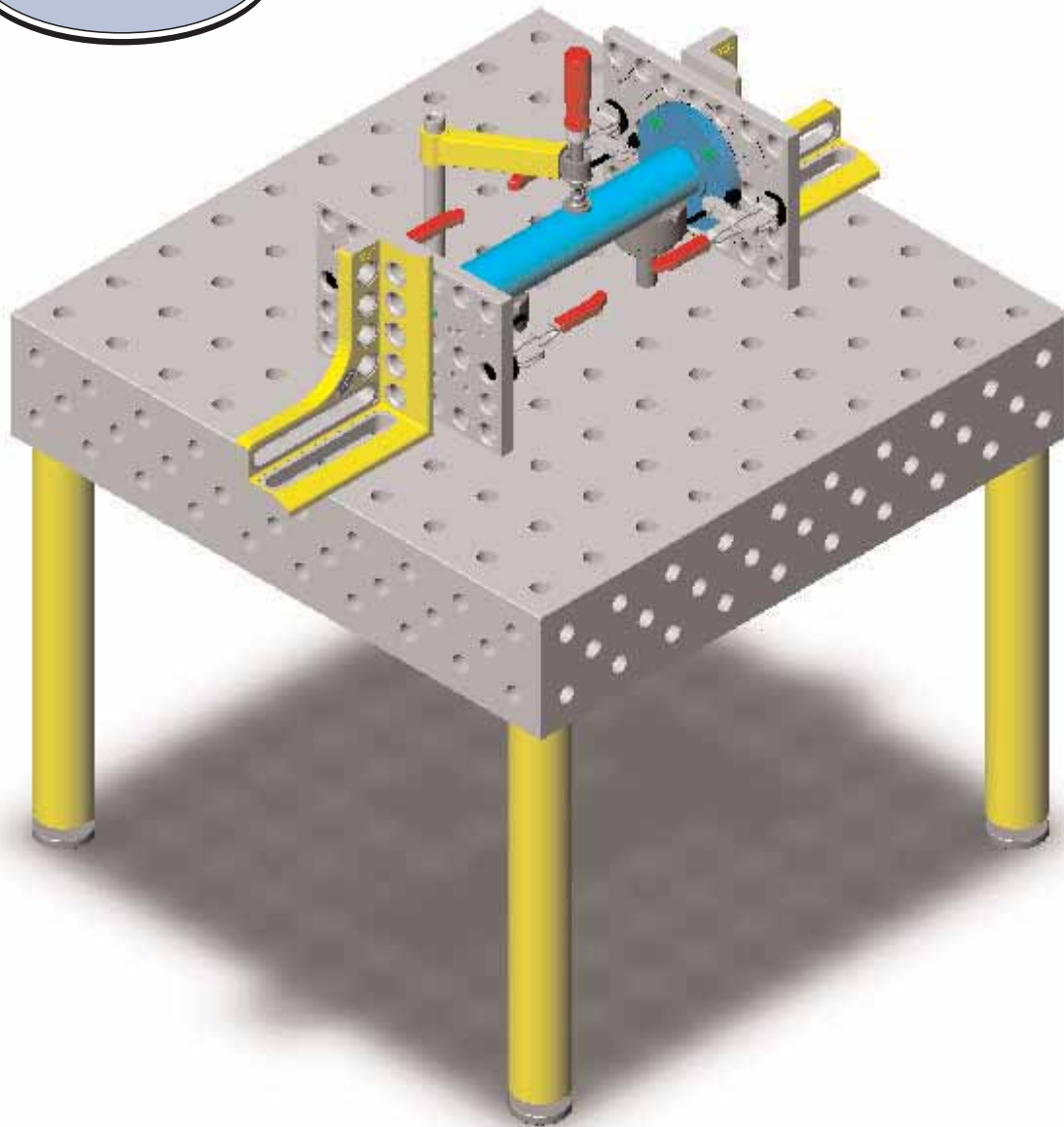
PIPES

APPLICATIONS GUIDE

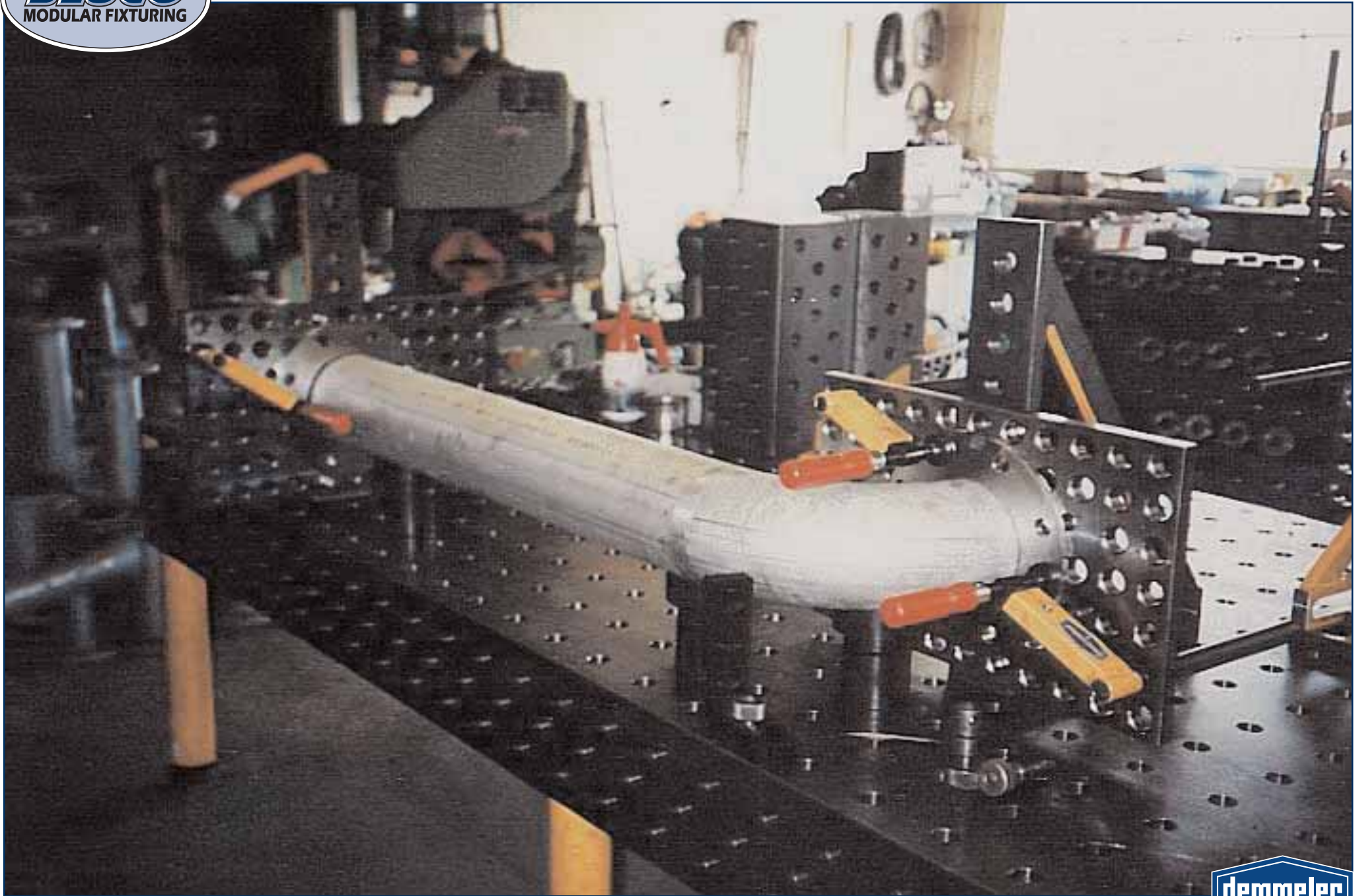




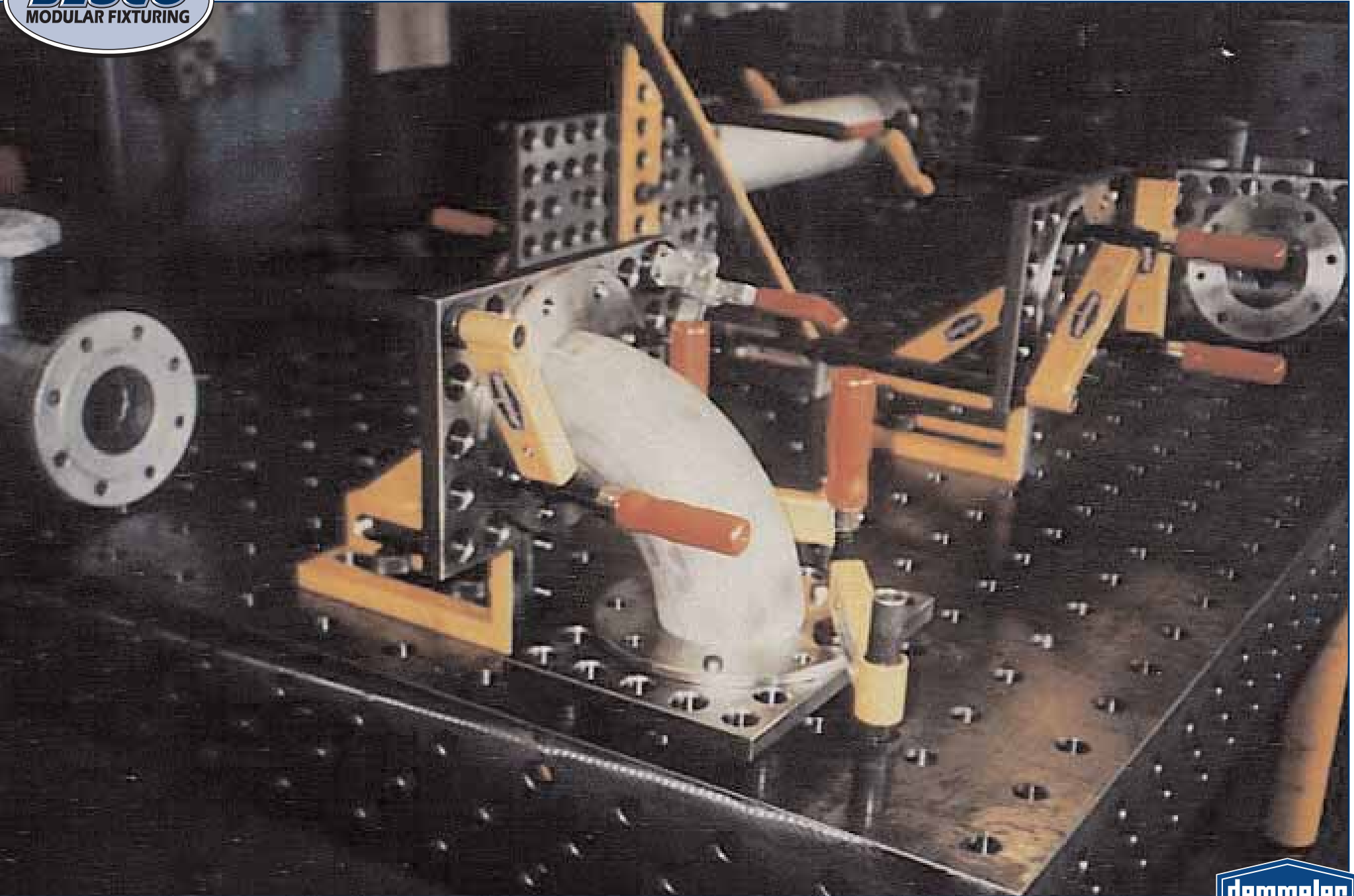
Flange adapter plate aligns flanges while adjustable v-blocks level pipe



One flange adapter plate (150 pound series shown here) can align 1/2" - 8" flanges by simply moving the two dowel pins



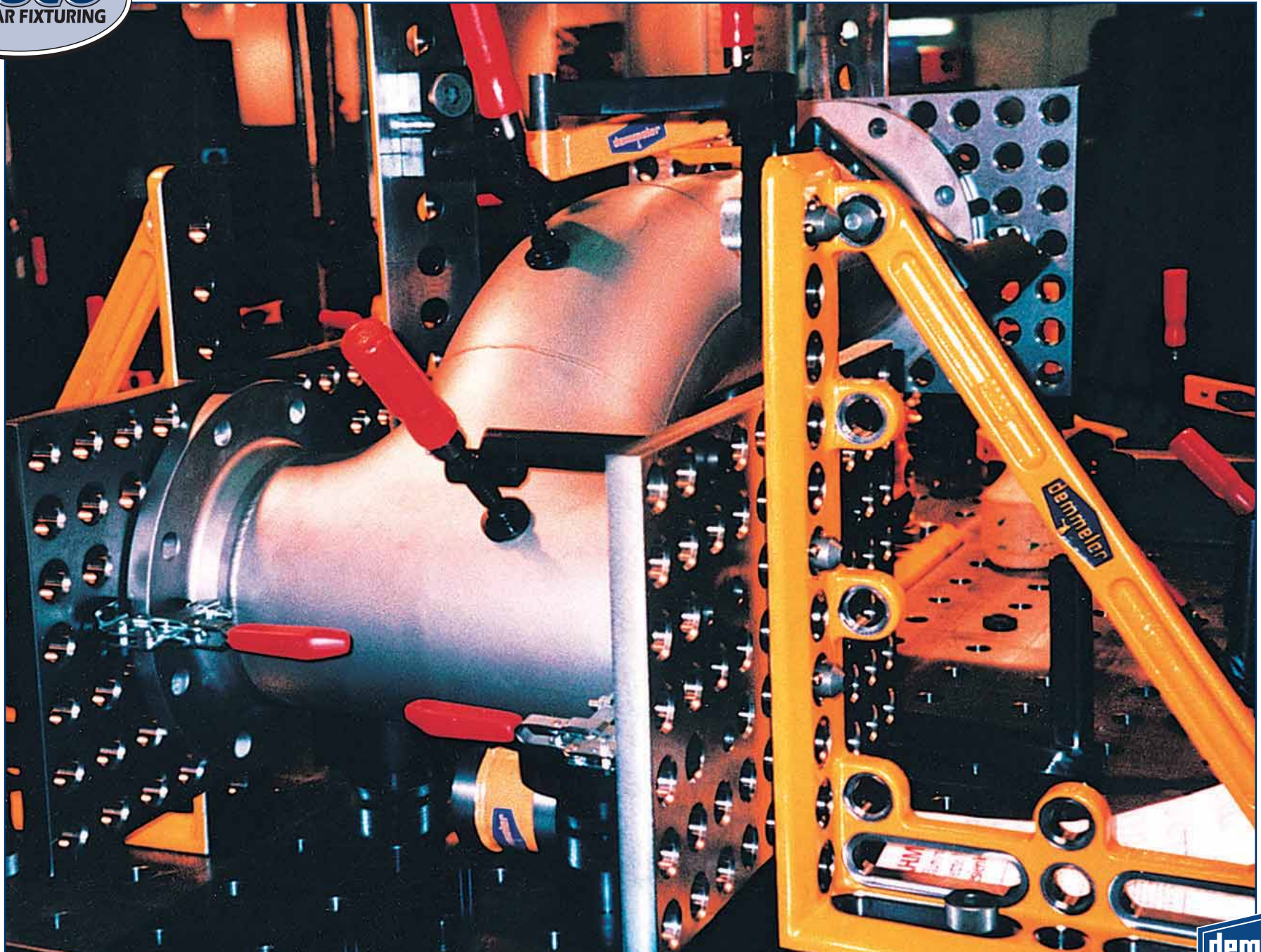
Adjustable v-blocks support long pipes



90 degree elbow requires flange adapter plates to align flanges



Exhaust header has two flanges in separate planes accurately located



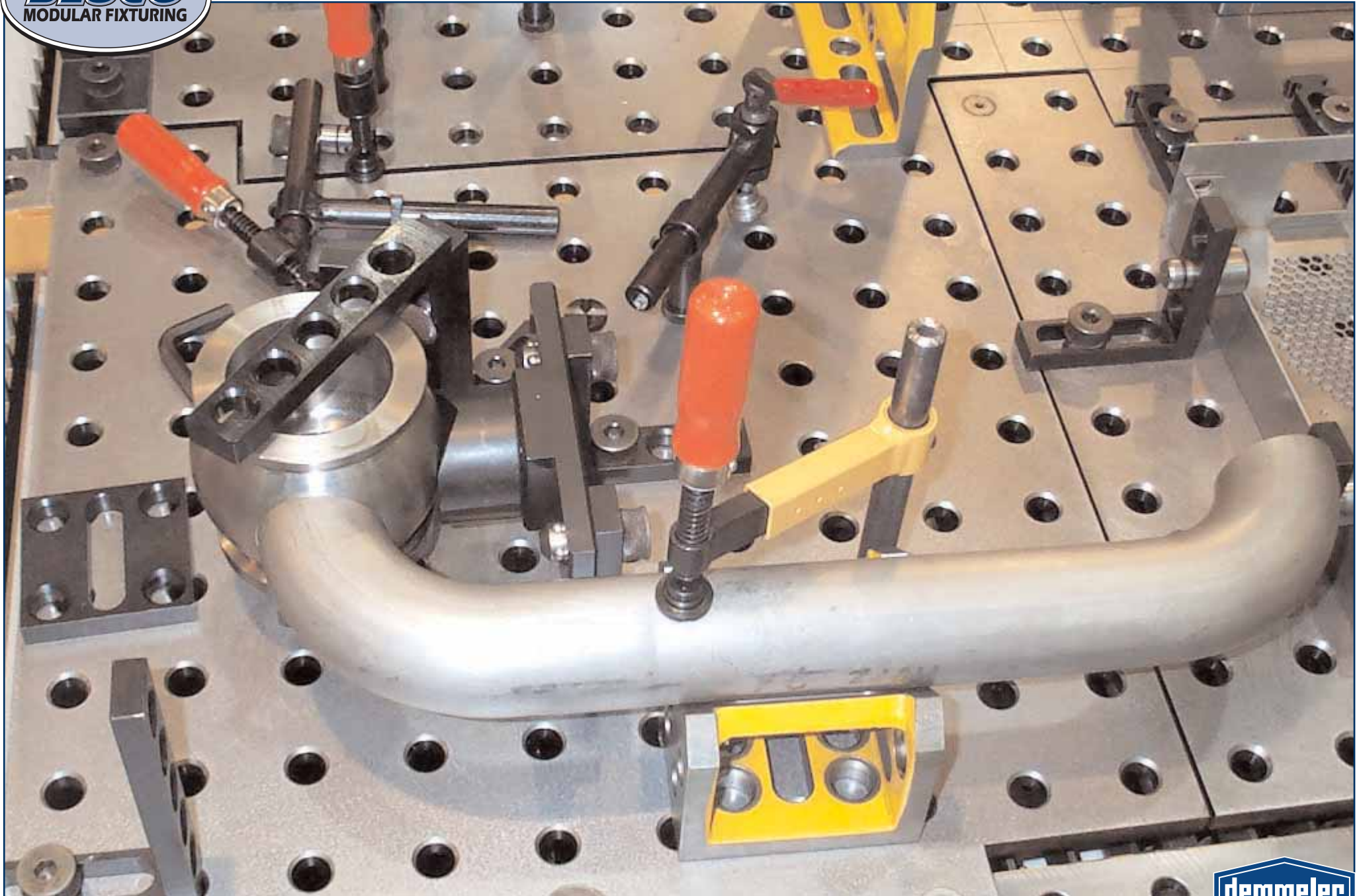
Sewage treatment plants now build their pipe assemblies in the shop to exact specifications for proper fit in the field



Locating bars square up the large flange while large angles align the pipe



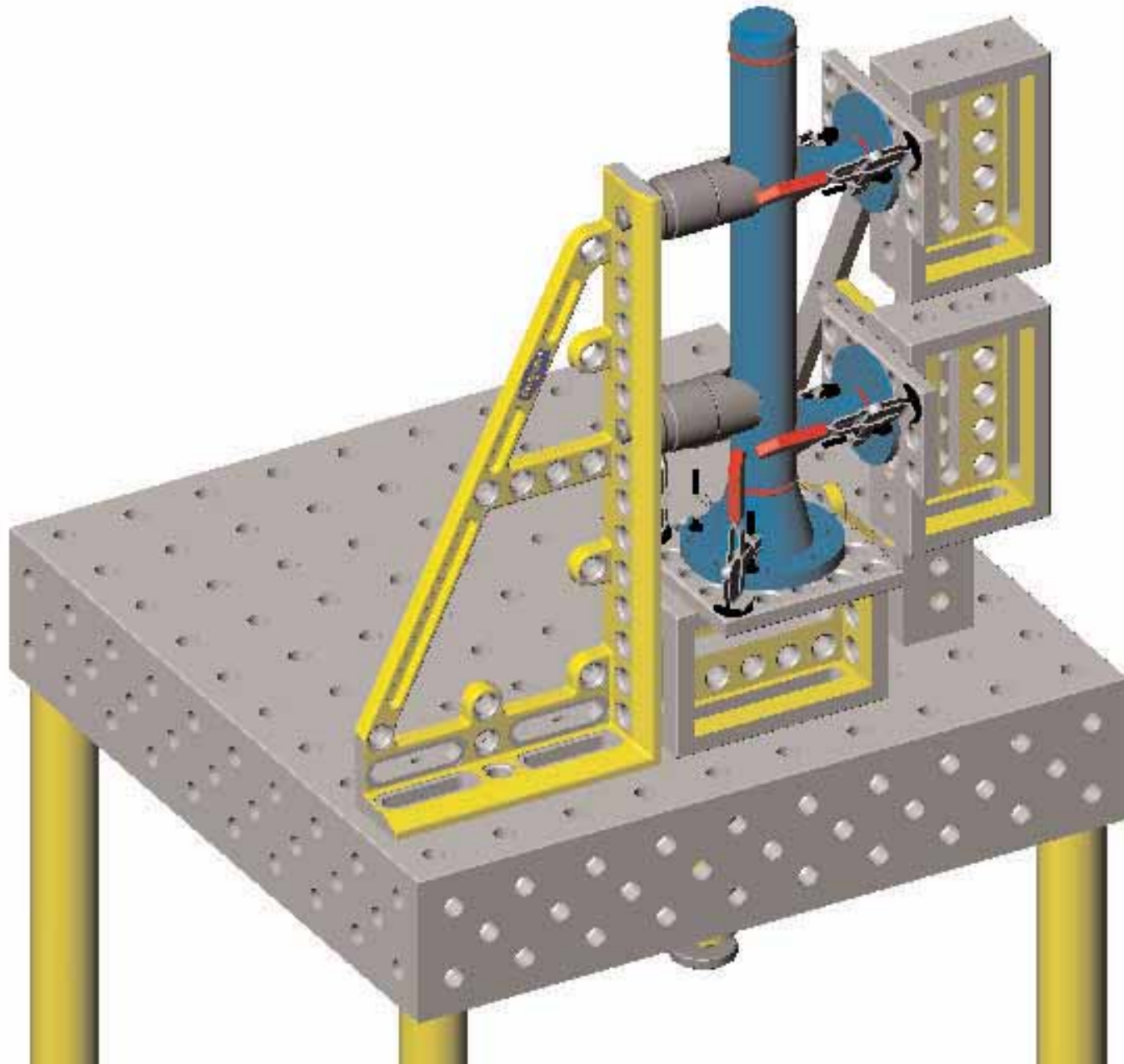
Large, 45 degree pipe squared to flange using large angles and clamps



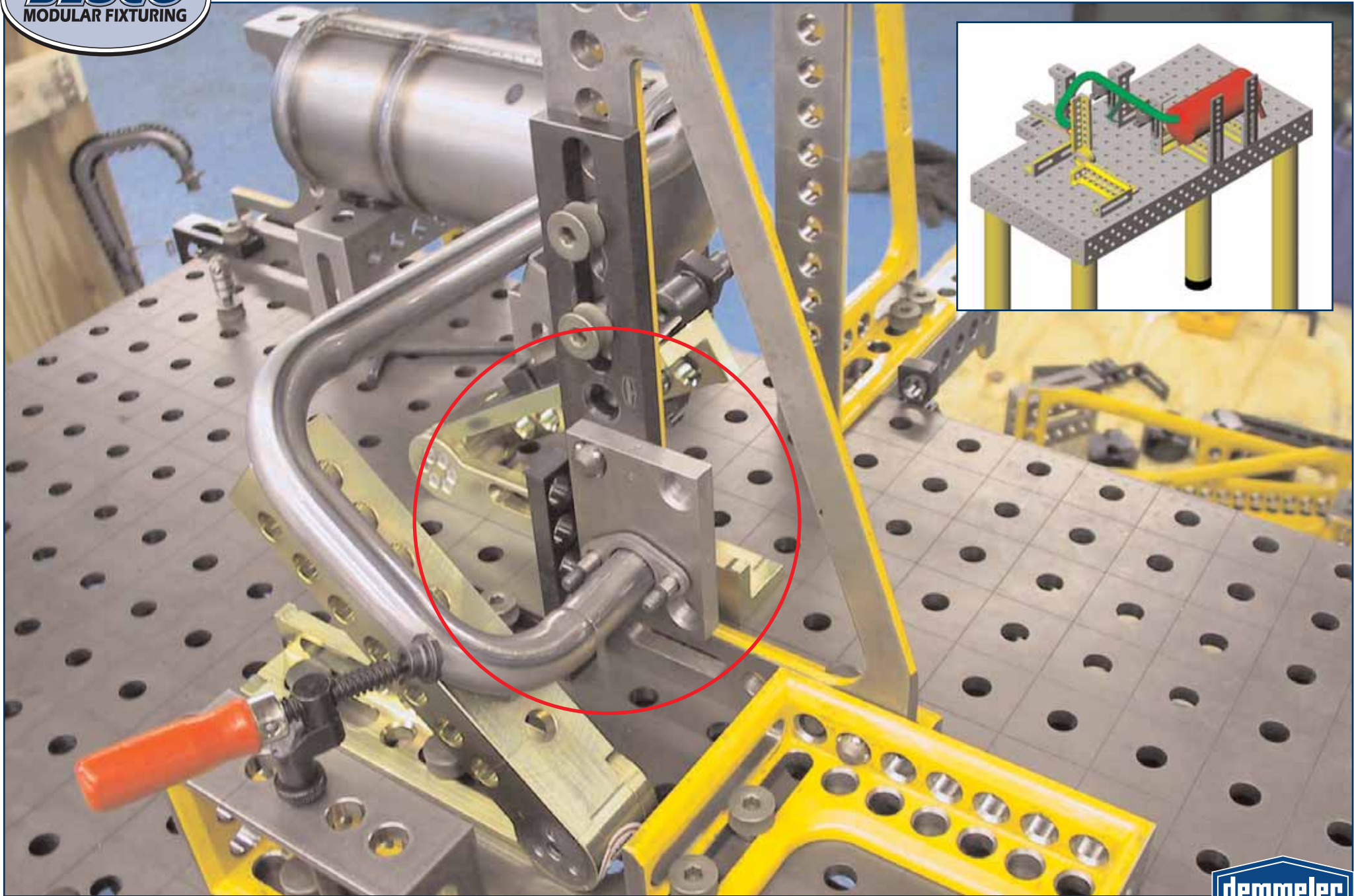
A D16 corner module is used as a v-block to hold the main tube



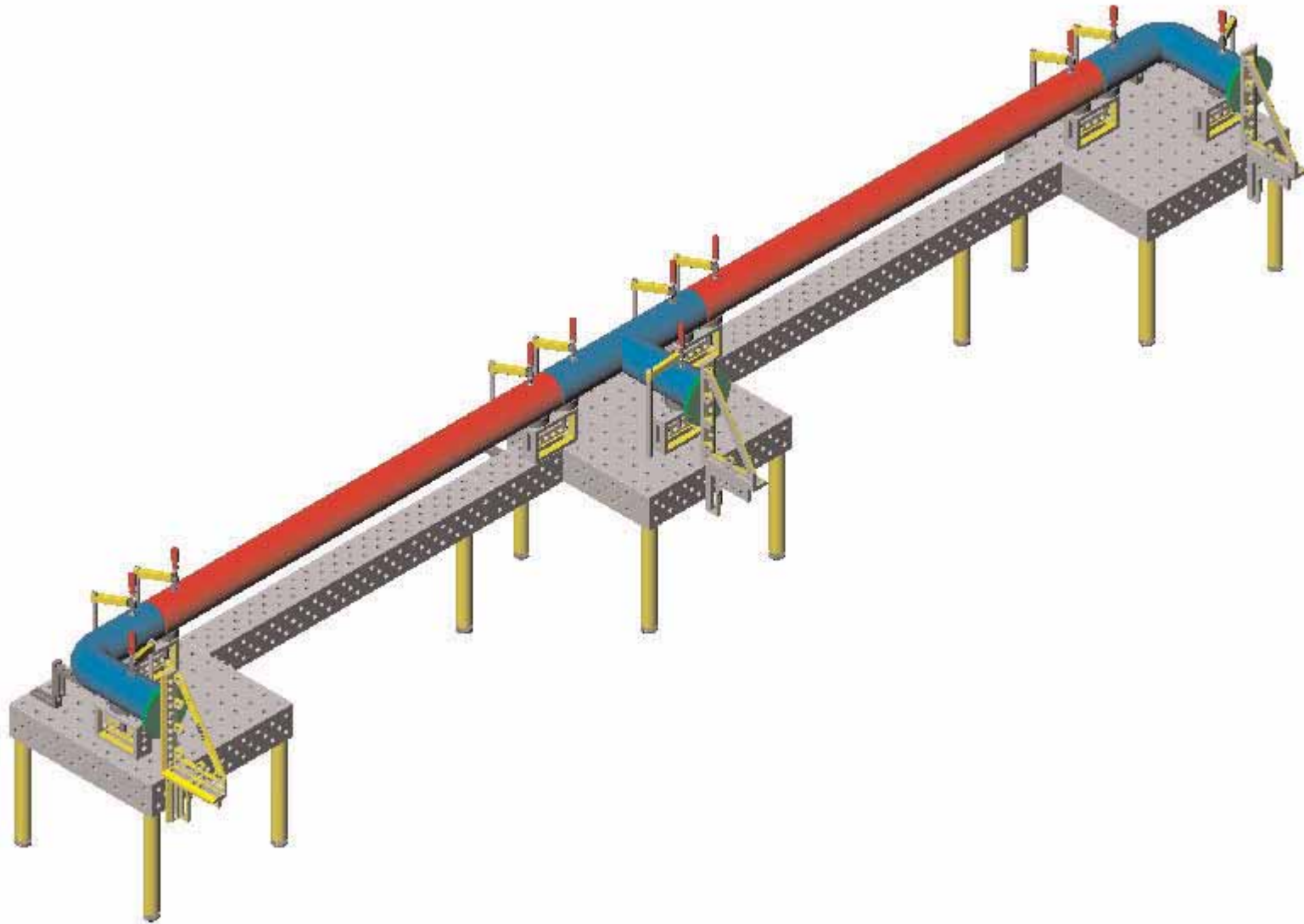
Small exhaust assembly has three flanges all aligned (two on the ends, one on the bottom)



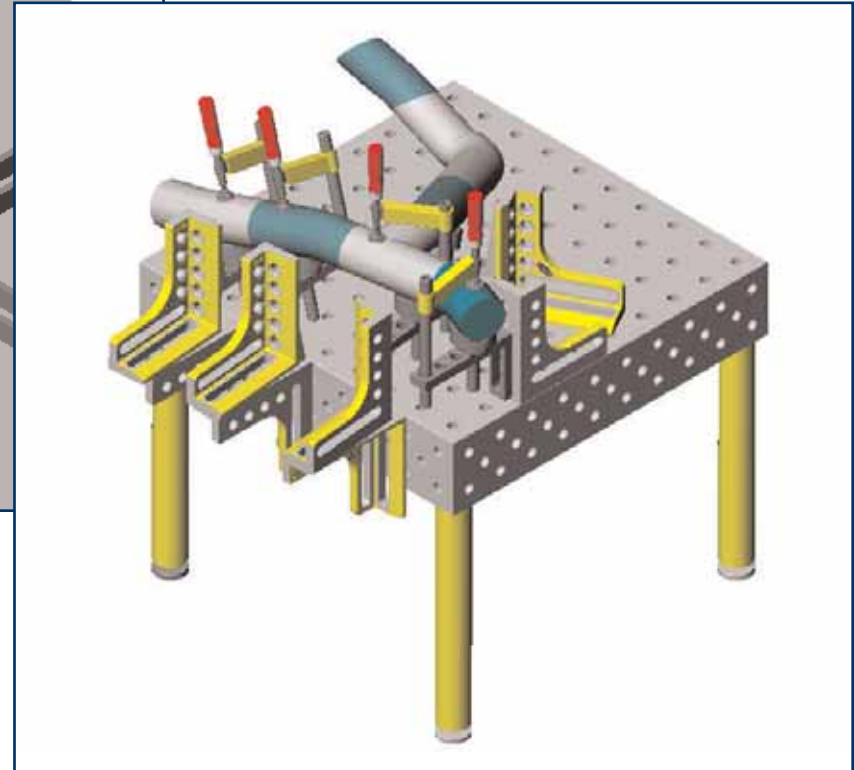
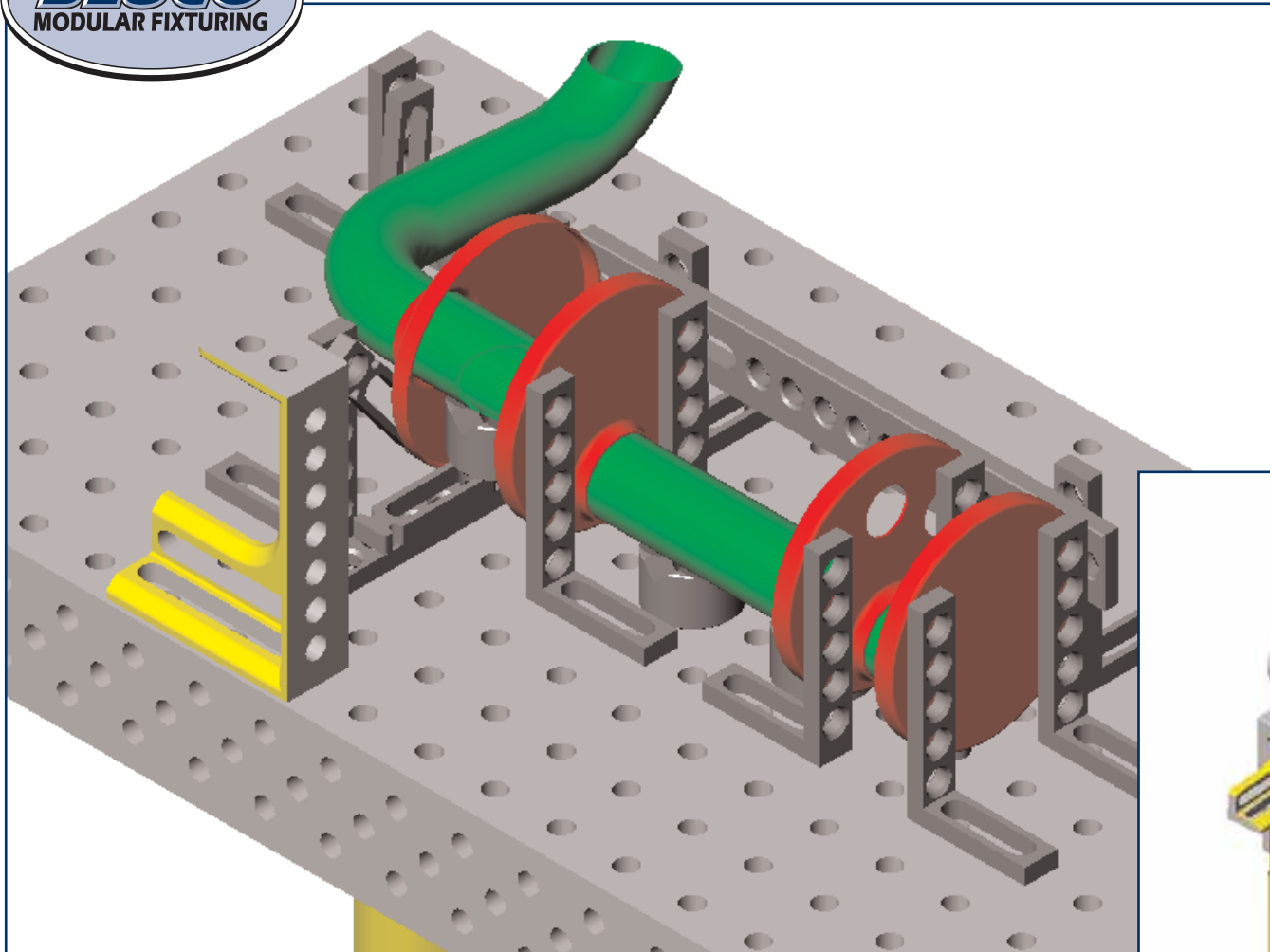
Pipe and flange assemblies can also be built vertical for better weld access



Special flange adapter plate attached to modular component to align holes



Set up for water treatment plant stainless header



Muffler and aircraft ducting fixtures